

AQUA MATIC

Be Innovative, Be Adventurous

The revolutionary Aqua Matic is engineered to be easier to use and more reliable than conventional watermakers. Featuring the latest technology, the Aqua Matic is able to regulate and monitor system functions without the need of an operator. With one touch, the Aqua Matic will start and finish water production automatically, allowing boaters more time to relax and enjoy their cruise.



Modular Configuration



Aqua Matic Key Features

- NMEA 2000 compliant
- Full color touch screen
- One touch operation
- Quiet high pressure pump



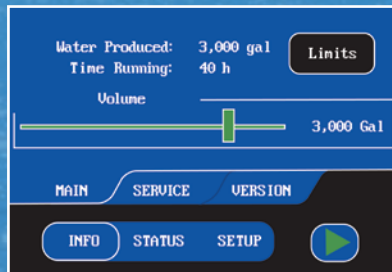
Category | Mid to Large Yachts (40 - 80 ft / 12 - 24 m)



Automated functions

Standard watermakers require pressure adjustments for water conditions and to produce fresh water - a process that can be very time consuming. Sea Recovery solves this problem by incorporating an automatic pressure regulating system into the Aqua Matic, allowing the watermaker to balance pressure levels automatically. This feature is designed to maximize a boater's comfort and convenience, allowing more time to be invested in leisure activities.

< Push start and the Aqua Matic does the rest



Longer lifespan with minimal maintenance

The Aqua Matic's features allow boaters to extend its service life. The automatic Fresh Water Flush and LCD monitoring system allows you to optimize pre-filter and membrane performance. This system will flush every 7 days, whether the watermaker is producing water or on standby. Also equipped with the Aqua Matic is a standard high pressure plunger pump (optional radial axial pump upgrade available) that operates at low noise levels and requires minimal maintenance.

< System Status Information



Courtesy of Viking Yachts

The best technology that accommodates your needs

Equipped with every Aqua Matic is an exclusive color LCD touch screen that simplifies system monitoring and operation with easy to view displays. Functions and controls are available anywhere throughout the NMEA 2000 network, and are quickly configured with a single touch of the menu. The screen also reminds you of any maintenance needs and if performance or water quality falls below a determined level. With a Full-Color Alert System, boaters will be quickly advised to tend to any maintenance issue, to ensure that your system continues to run optimally.

Specifications - Aqua Matic

	Model #	Production/hr.	Production/24hrs.	Weight - Compact*	Weight - Modular*
PRODUCTION & WEIGHT	450-1	19 Gal / 71 L	450 Gal / 1,703 L	153 lbs / 69 kg	149 lbs / 68 kg
	700-1	29 Gal / 110 L	700 Gal / 2,650 L	156 lbs / 71 kg	152 lbs / 69 kg
	900-1	38 Gal / 142 L	900 Gal / 3,407 L	158 lbs / 72 kg	154 lbs / 70 kg
	900-2	38 Gal / 142 L	900 Gal / 3,407 L	165 lbs / 75 kg	161 lbs / 73 kg
	1400-2	58 Gal / 221 L	1,400 Gal / 5,300 L	171 lbs / 76 kg	167 lbs / 76 kg
	1800-2	75 Gal / 284 L	1,800 Gal / 6,814 L	176 lbs / 80 kg	172 lbs / 78 kg

* Weights based on single phase motor. For three phase motors subtract 9 lbs.

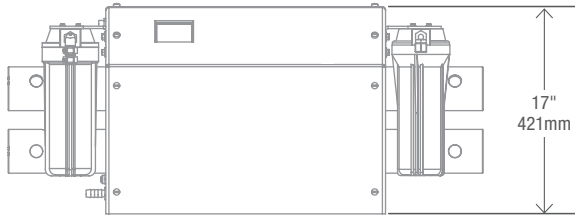
ELECTRICAL	Phase	Pump Motor	Voltage VAC	Hz	Normal Operating Amps	Start Up Current
Plunger Pump Radial Axial Pump	Single	High Pressure / Booster	110-115 / 220 -230	50 / 60	110 / 220 30 / 15	110 / 220 100 / 50
	Single	High Pressure / Booster	110-115 / 220 -230	50 / 60	35 / 17.5	110 / 55
Plunger Pump Radial Axial Pump	Three	High Pressure / Booster	220-230 / 380-460	50 / 60	220 / 380 - 440 11 / 5.5	220 / 380 - 460 30 / 15
	Three	High Pressure / Booster	220-230 / 380-460	50 / 60	11 / 5.5	30 / 15

Circuit Breaker Size	Operating AC Voltage	Phase	Recommended circuit breaker
Plunger Pump Radial Axial Pump	110-115 / 220-230	Single	40 Ampere / 20 Ampere
Plunger Pump Radial Axial Pump	220 / 380 / 460	Three	15 Ampere / 10 Ampere / 10 Ampere

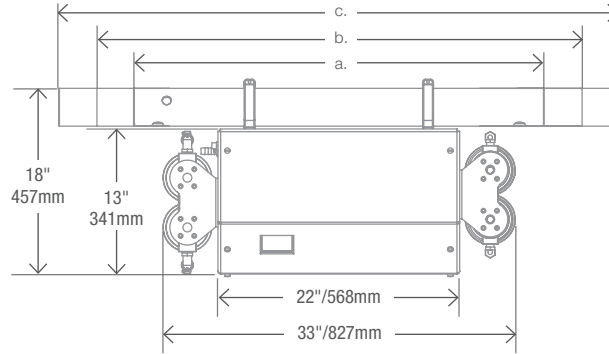
Dimensions

AQUA MATIC

COMPACT



Compact System - Front

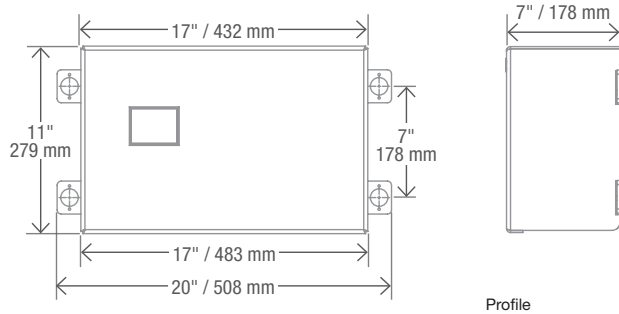


Overhead

Membranes Vessels:

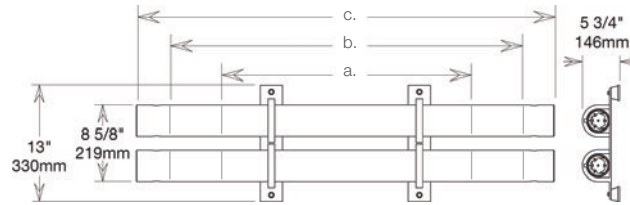
- a. 27 15/16" (710mm): Aqua Matic Compact 450-1 & 900-2
- b. 37 15/16" (964mm): Aqua Matic Compact 700-1 & 1400-2
- c. 46 15/16" (1192mm): Aqua Matic Compact 900-1 & 1800-2

MODULAR



Control Panel - Front

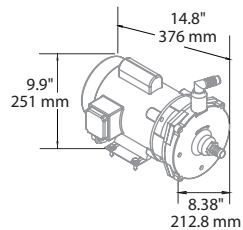
Profile



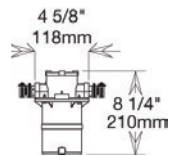
Double R.O. Membrane Vessel Assembly

Membranes Vessels:

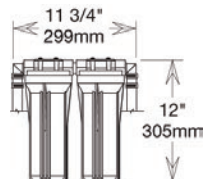
- a. 27 15/16" - 710mm: SRC Aqua Matic Modular 450-1 & 900-2
- b. 37 15/16" - 964mm: SRC Aqua Matic Modular 700-1 & 1400-2
- c. 46 15/16" - 1192mm: SRC Aqua Matic Modular 900-1 & 1800-2



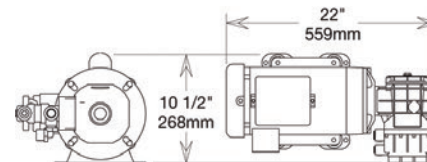
Booster Pump



Sea Strainer



Dual Pre-filter &
Dual Post Filter



Standard Plunger Pump

WATER CONNECTIONS: Feed Water 3/4", Brine Discharge 3/4", Product Water 1/2"